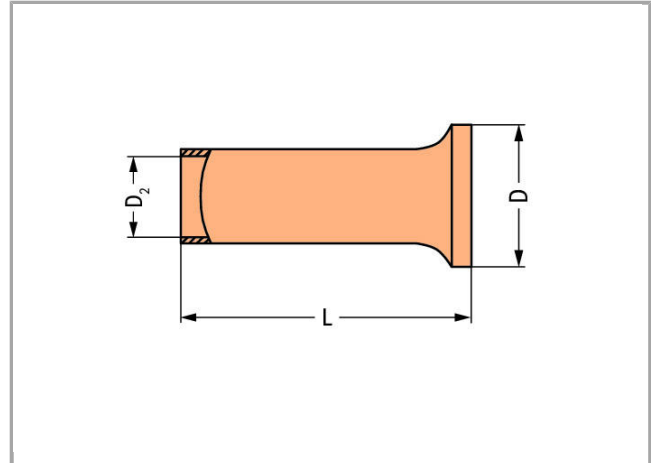
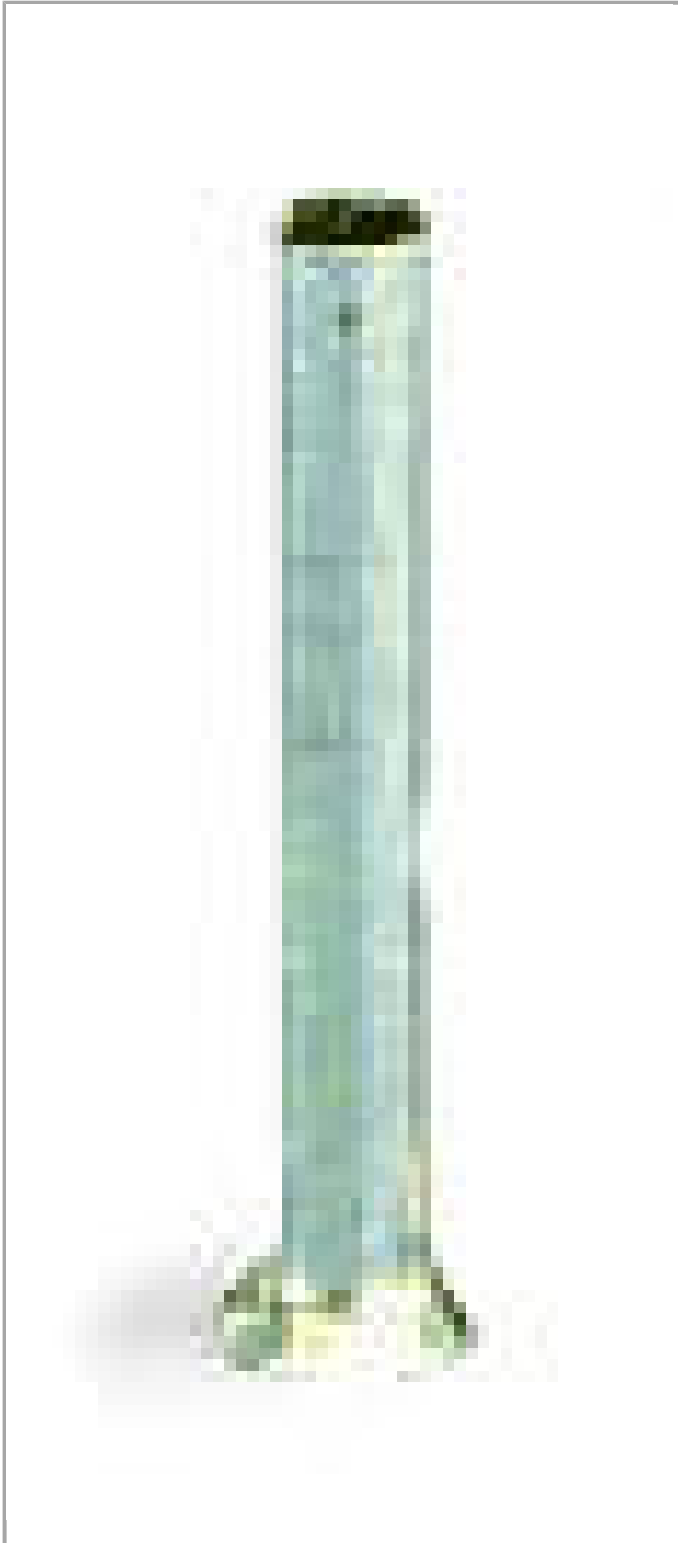


**Data sheet | Item number: 216-143**

Ferrule; Sleeve for 1 mm<sup>2</sup> / AWG 18; uninsulated; electro-tin plated;  
electrolytic copper; gastight crimped; acc. to DIN 46228, Part 1/08.92



216-143



RoHS   
Compliant

BOMcheck.net

## Data

### Technical Data

Main product function	Ferrule
Querschnitt Hülse AWG	18 AWG
Hülse für	1 mm <sup>2</sup>

### Connection data

Strip length	10 mm / 0.39 inch
--------------	-------------------

### Geometrical Data

Length	10 mm
Diameter	2.5 mm
Diameter 2	1.4 mm

### Material Data

Weight	0.064 g
--------	---------

### Commercial data

Product Group	2 (Terminal Block Accessories)
Country of origin	DE
GTIN	4044918016377
Customs Tariff No.	85369010000

## Downloads

### Documentation

#### Bid Text

216-143	doc 23.6 kB	Download
---------	----------------	----------



Subject to changes.

---